

Designs Ink Float Frame Kits™

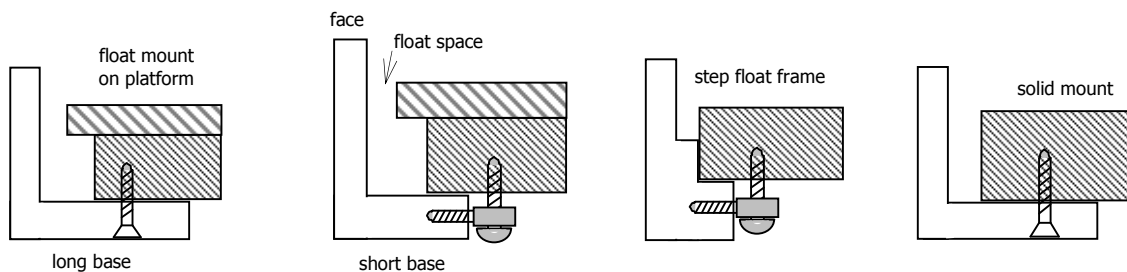
for Paintings on Hardboard and Panels

Designs Ink . 785 Tucker Road . Suite G-183 . Tehachapi CA . <http://designsinkart.com> . P 661-821-2188 . F 661-821-2180
Designs Ink Float Frames™ are trademarked products

Designs Ink is proud to announce the arrival of our new line of **Platform Float Frame Kits™** and **Stepped Float Frame Kits™** designed for use with encaustic, oil and acrylic paintings on hardboard. Select float frame mouldings have been chosen to best enhance and protect original art that has been painted on basic hardboard thicknesses of 1/4" and 1/2", and 3/4" hardboard cradles. Float frames were originally developed for use with painted canvases on stretcher or strainer supports, but with a support platform, thinner oil paintings on rigid canvas covered boards or masonite may also be placed in float frames.

Encaustic artists often work on 1/4" hardwood favoring Baltic birch, white maple, plywood, and masonite. Sometimes these high quality 1/4" panels are glued to a mitered frame support of 3/4" - 2" birch wood called a cradle. These cradled boxes help prevent warpage on larger panels and eliminate the need for a formal picture frame once the wax painting is complete. Thinner 1/4" hardboard panels are glued to a 1/2" birch plywood platform allowing the art to float. Commercial 3/4" cradles or solid birch boards may be screwed directly to the base of the frame as a solid mount.

Though frames are shown as standard square sizes, custom sizes available upon request. Call or email for additional information.



Float Mount Definitions

Float Frame - An L-shaped frame that does not cover the top edges of the art.

Float Mount - A thin art panel glued to a smaller platform, which is screwed to the frame.

Float Space - The gap between the frame and art panel.

Frame Face - The top edge of the frame.

Frame Base - The back width of the frame that the panel sits on.

Platform - The removable 1/2" or 3/4" plywood support that lifts a floated art panel from the back of the frame.

Profile - The side view shape of the moulding. L profile will have either a long base or short base.

Solid Mount - is a thick art board which is screwed directly to the frame serving as both art panel and platform.

Stepped Float - A built-in stair step moulding for horizontal eye and vertical screw assembly.

Pricing

All prices are based on March 2013 material costs, but due to continuing purchasing and shipping costs, price increases are unavoidable and featured prices should be verified prior to submitting your order.

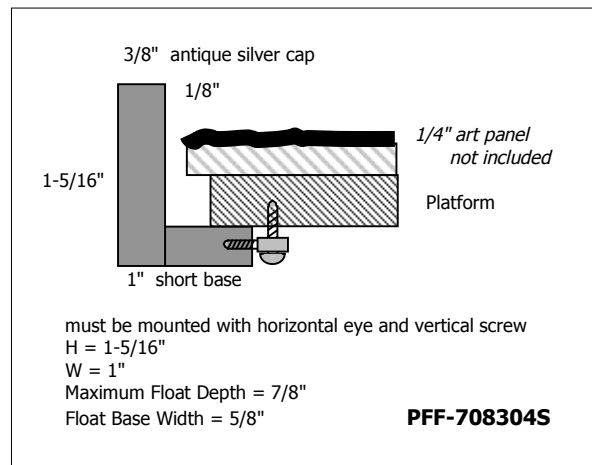
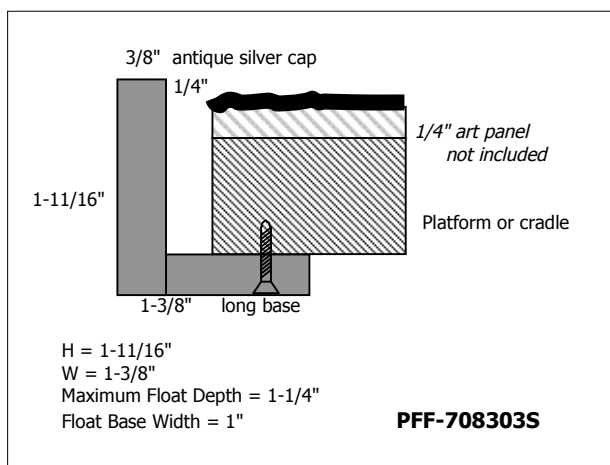
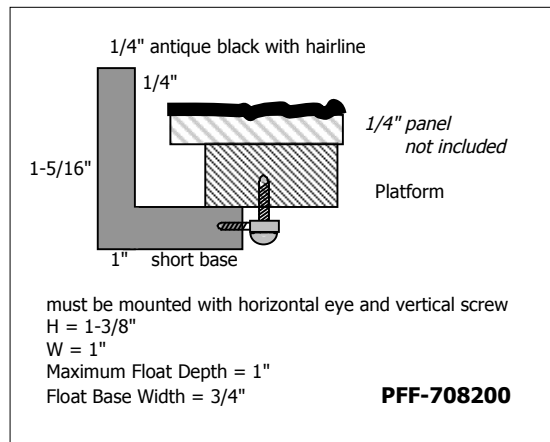
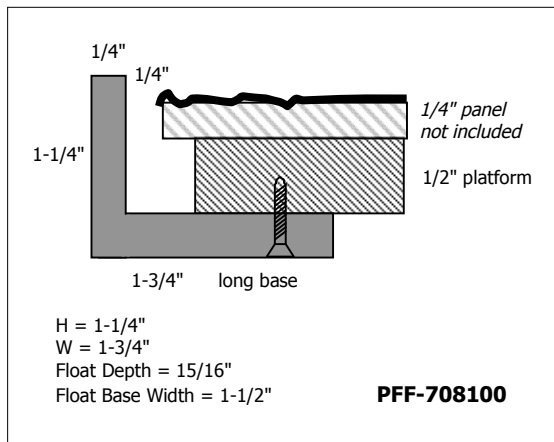
Designs Ink Platform Float Frame Kits™

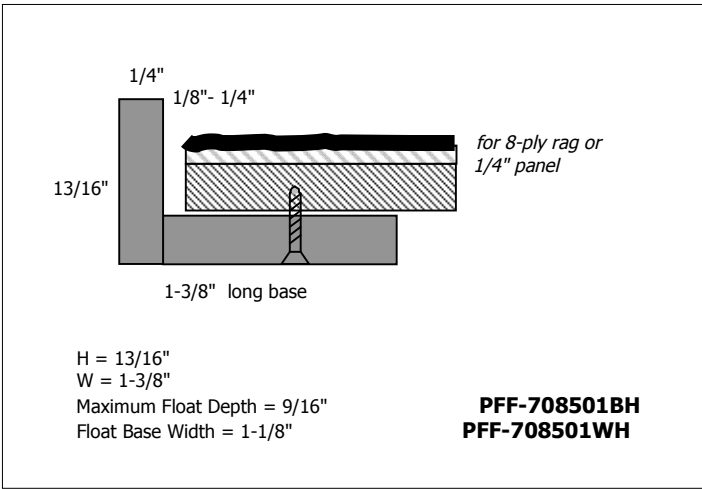
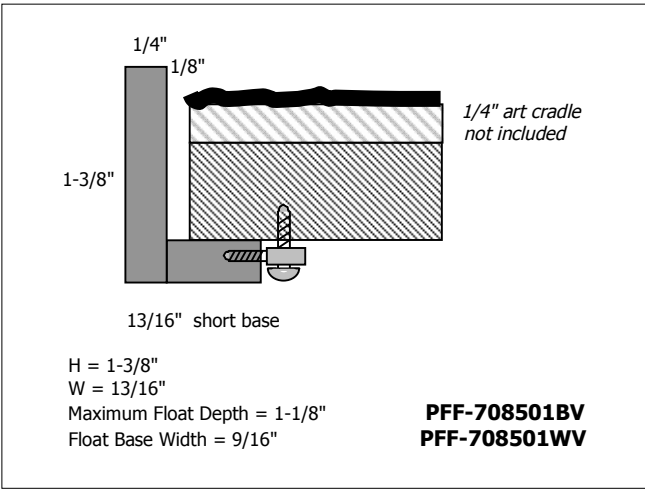
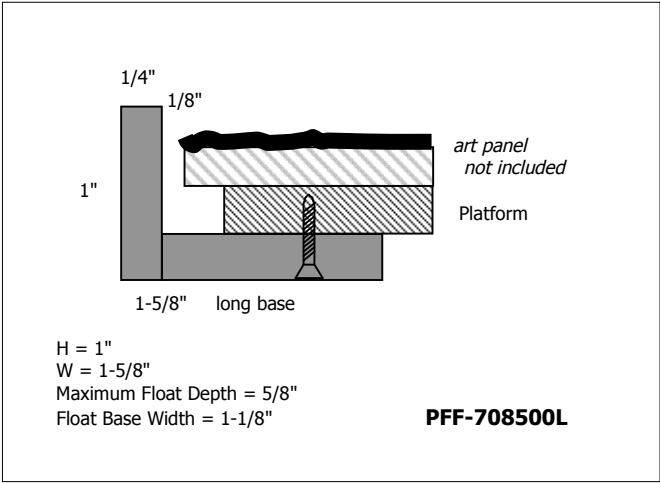
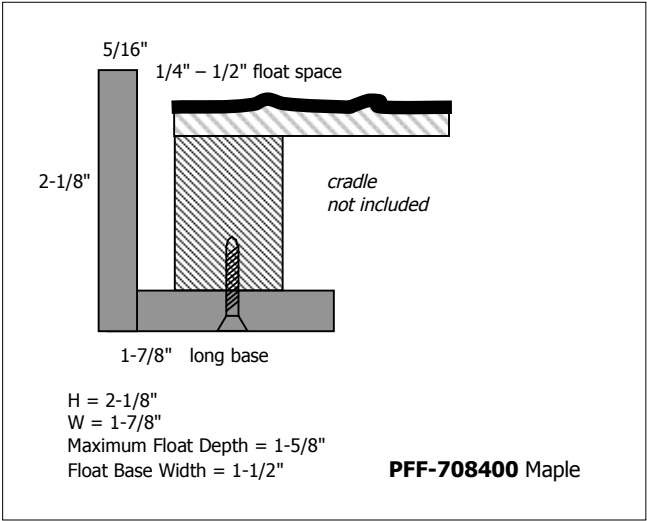
Designs Ink Platform Float Frames™ offer an affordable, reusable solution to quality gallery presentation. They are available as cut lengths, frame only, or complete ready-to-hang kits. Each kit is ready for display, comes predrilled and includes 1/4" or 1/2" plywood pedestal for float option as required to fit your panel, screws and hanging hardware.

There are currently ten frame styles:

- PFF-708100** - 1-3/4" long base soft black lacquer with 1/4" face and 15/16" depth for platform or solid mount.
- PFF-708200** - 15/16" short base black lacquer with red hairline edges on 1/4" face and 1" depth for platform
- PFF-708303S** - 1-3/8" long base black lacquer with 3/8" brushed silver face and 1-1/4" depth for float platform
- PFF-708304S** - 1" short base black lacquer with 3/8" brushed silver face and 7/8" depth for float platform
- PFF-708400** - 1-7/8" long base natural maple hardwood with 5/16" face and 1-5/8" depth for thick panel or cradle
- PFF-708500L** - 1-5/8" long base light walnut with 1/4" face and 5/8" depth for float platform or solid mount
- PFF-708501BH** - 13/16" short base solid matte black stain with 1/4" face and 1-1/8" depth for float platform
- PFF-708501WH** - 13/16" short base solid matte white with 1/4" face and 1-1/8" depth for float platform or solid mount
- PFF-708501BV** - 1-3/8" long base solid matte black stain with 1/4" face and 9/16" depth for float platform and panel
- PFF-708501WV** - 1-3/8" long base solid matte white with 1/4" face and 9/16" depth for float platform and panel

Order frames and platform kits to fit the art panel sizes. All frames are cut with 1/4" float space around art panel for frames—unless otherwise requested as narrower 1/8", or wider 3/8" or 1/2". Custom frame sizes available upon request. Call or email for additional information.





Order by Art panel or Cradle size	6x6"	8x8"	10x10"	12x12"	14x14"	16x16"
PFF-708100 Soft Black Lacquer						
Platform Float Frame Kit	55.00	65.00	75.00	85.00	95.00	115.00
Frame Only	50.00	60.00	70.00	80.00	90.00	110.00
PFF-708200 Red Line						
Platform Float Frame Kit	45.00	55.00	65.00	75.00	85.00	95.00
Frame Only	40.00	50.00	60.00	70.00	80.00	90.00
PFF-708303S Antique Silver Face						
Platform Float Frame Kit	40.00	50.00	60.00	70.00	80.00	90.00
Frame Only	35.00	45.00	55.00	65.00	75.00	85.00
PFF-708304S Antique Silver Face						
Platform Float Frame Kit	40.00	50.00	60.00	70.00	80.00	90.00
Frame Only	35.00	45.00	55.00	65.00	75.00	85.00
PFF-708400 Maple						
Frame and Hardware	75.00	85.00	95.00	105.00	115.00	125.00
Frame Only	70.00	80.00	90.00	100.00	110.00	1120.00
PFF-708500L Light Walnut Stain						
Frame and Hardware	35.00	45.00	55.00	65.00	75.00	85.00
Frame Only	30.00	40.00	50.00	60.00	70.00	80.00
PFF-708501BV, 708501WV Black or White Stain						
Frame and Hardware	35.00	45.00	55.00	65.00	75.00	85.00
Frame Only	30.00	40.00	50.00	60.00	70.00	80.00
PFF-708501BH, 708501WH Black or White Stain						
Frame and Hardware	35.00	45.00	55.00	65.00	75.00	85.00
Frame Only	30.00	40.00	50.00	60.00	70.00	80.00
Alternate Substrates						
8-ply White Museum Rag Board	2.00	3.00	5.00	7.50	9.75	12.75
1/4" Lauan	1.00	2.00	3.00	4.00	5.00	6.00
1/2" Plywood	3.00	4.50	7.00	10.50	14.00	18.00
1/2" Honeycomb Panel – Kraft Brown	1.00	2.00	3.00	4.00	5.00	6.00
1/2" Honeycomb Panel – All White	2.00	3.00	4.00	6.00	8.00	10.50
1/2" Hexamount – Conservation Black	2.50	4.00	6.00	9.00	12.00	16.00
1/2" Hexamount – Conservation White	2.50	4.00	6.00	9.00	12.00	16.00
3/4" Tycore Honeycomb - All Rag	5.50	10.00	15.00	22.00	30.00	40.00

Ordering and Shipping

Order forms may be downloaded by going to the link on the previous page.

The order form may be printed and faxed, or mailed with your check.

All orders are taken via email info@designsinkart.com, fax **661-821-2180** or phone **661-821-2188**, and must be prepaid by check prior to shipment. If resale applies, a California Resale Certificate must be received with the order and is available from Designs Ink. All orders will be shipped UPS ground FOB Tehachapi, CA and is individually calculated and included on all order totals.

Designs Ink

785 Tucker Road . Suite G-183
Tehachapi CA 93561
P 661-821-2188 . F 661-821-2180
info@designsinkart.com
www.designsinkart.com
www.float-frames.com